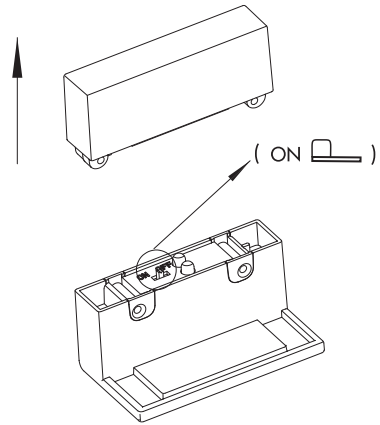
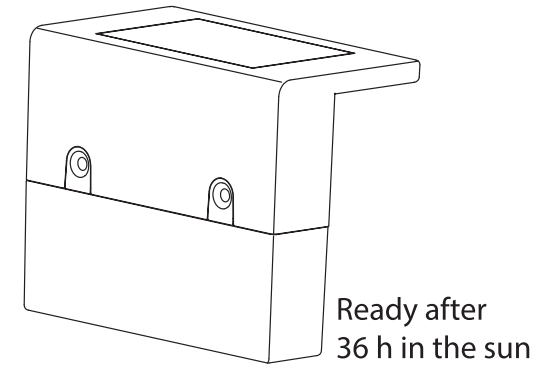
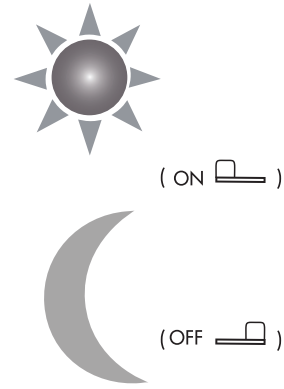


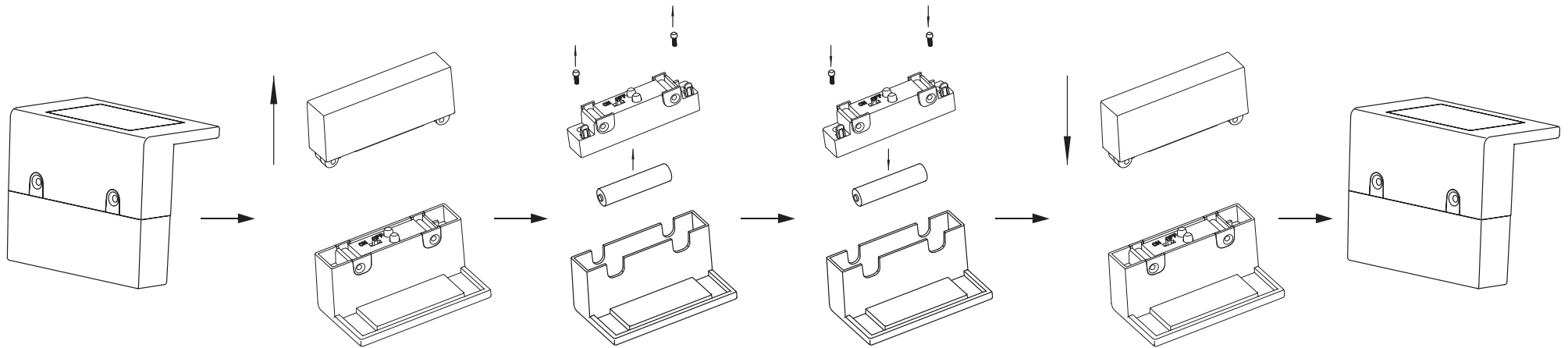
**Art.no 482-97**  
FIRST USE  
STEP 1.



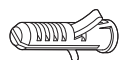
STEP 2.



BATTERY REPLACEMENT



Art.no 482-97



x2



x2

